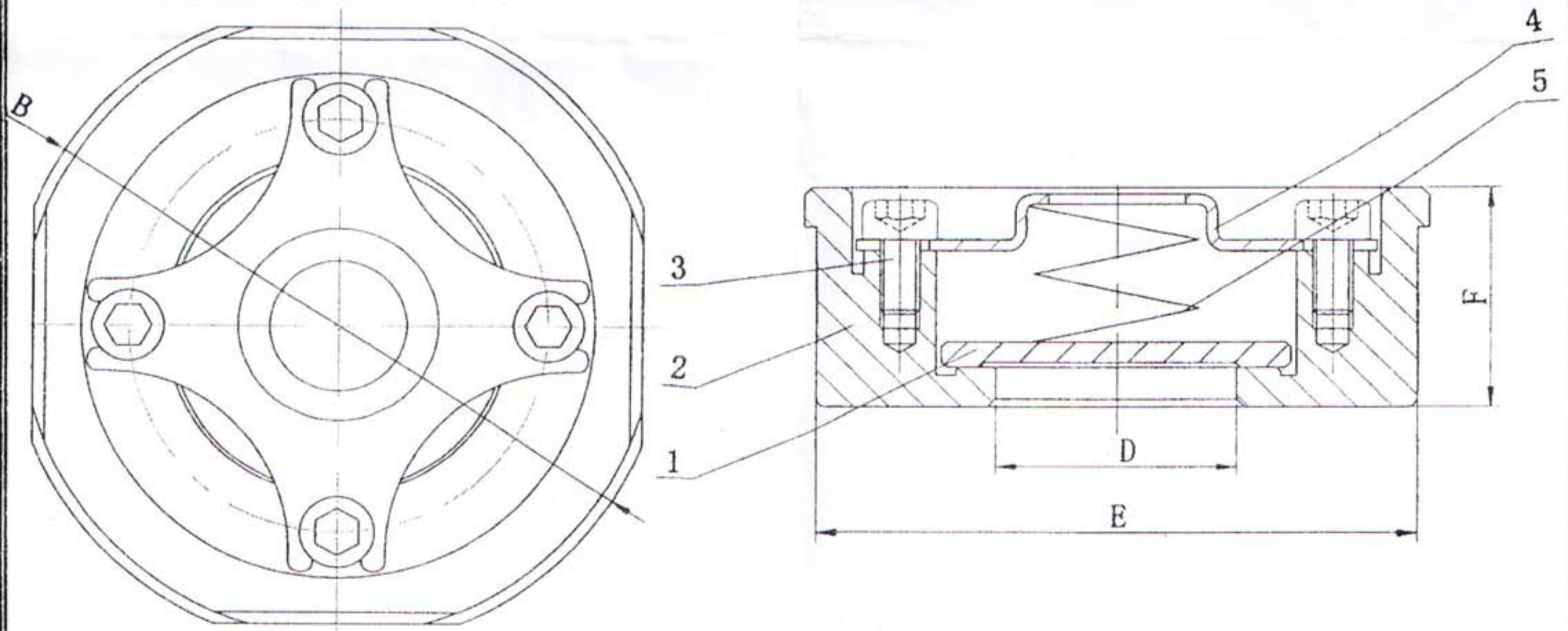


york

DISCO CHECK VALVES (Type D 360)

Dimensions



Dimensions/Fitting flanges

Dimensions						
DN	NPS	B	D	E	F	Weight(Kg)
15	1/2"	53	15	43	16	0.100
20	3/4"	63	20	53	19	0.180
25	1"	73	25	63	22	0.280
32	1 1/4"	84	30	75	28	0.460
40	1 1/2"	94	38	86	31.5	0.660
50	2"	107	47	95	40	0.950
65	2 1/2"	126	62	115	46	1.450
80	3"	144	77	131	50	2.130
100	4"	164	95	151	60	3.350

Overview

- 1. Disc : ASTM A 351 CF8M
- 2. Body : ASTM A 351 CF8M
- 3. Bolt : Stainless steel AISI 316
- 4. Cover : Stainless steel AISI 316
- 5. Spring : Stainless steel AISI 316

Pressure range : 0 to 40 bar

Flanges connection conform to DIN Standard.

Medium : Fresh water, Sea water , Waster water, Food stuff, Steam, All kinds of oil, acid,alkaline liquid etc.

Working temp: - 100C~300C

york

DISCO CHECK VALVES (Type D 360)

Description, function and application

Description and application

Disco check valves are fitting for the backflow prevention in pipe systems

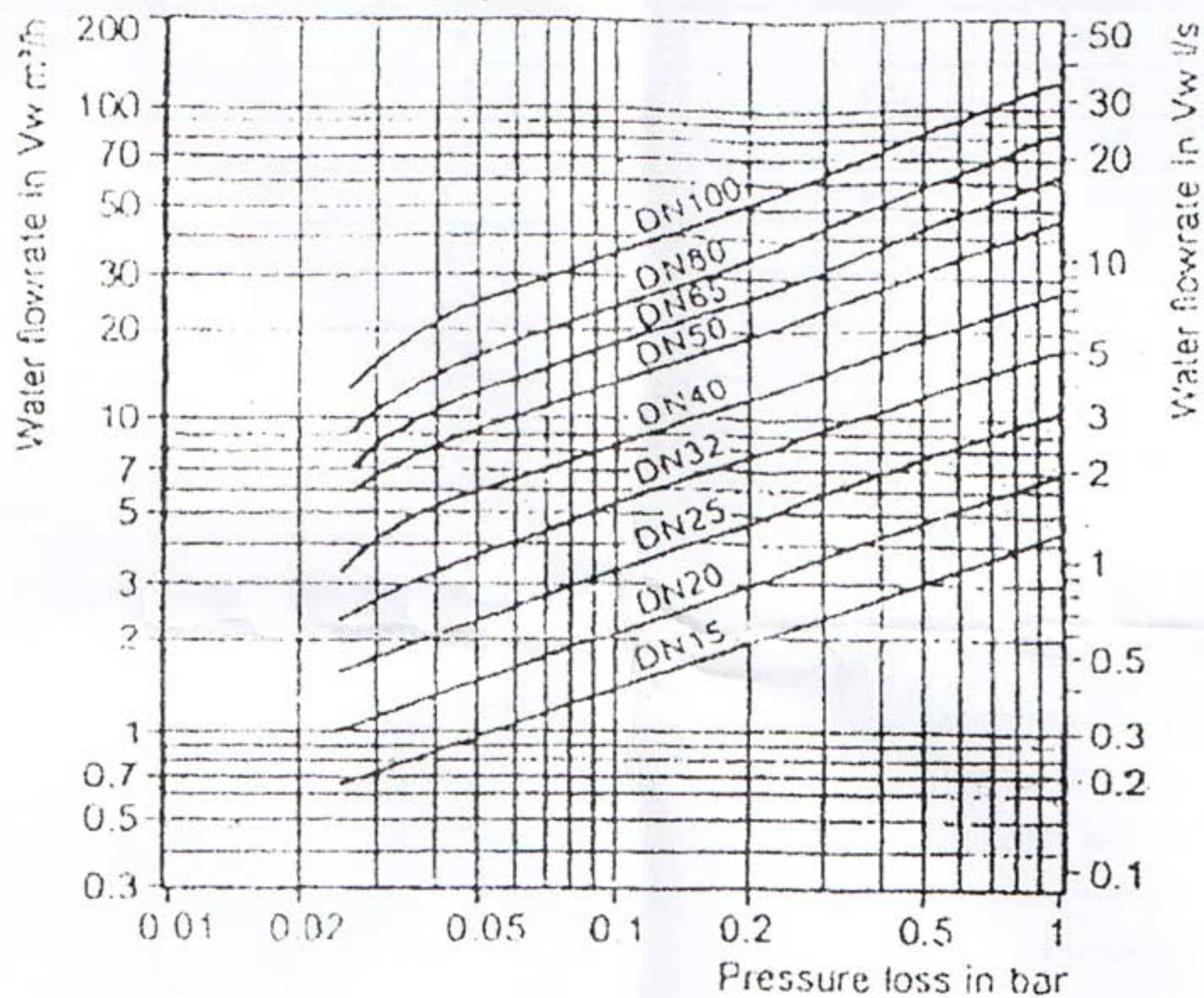
Easy structures and short dimensions are the remarkable features of our disco check valves. They offer an optimum solution in case of bigger nominal widths and there, where connection flange mountings are required or more favorable. The disco check valves type D 360 are suitable for the industrial use in pipe systems for the transport of liquid or gaseous materials as well as in systems where much higher demands are made on the material.

Function

Type D 360 disco check valves may have any mounting position.

They are opened by means of the medium pressure and closed again by means of a spring, prior to the creation of a backflow.

Pressure loss diagram



The values in the diagram refer to water at 20°C.