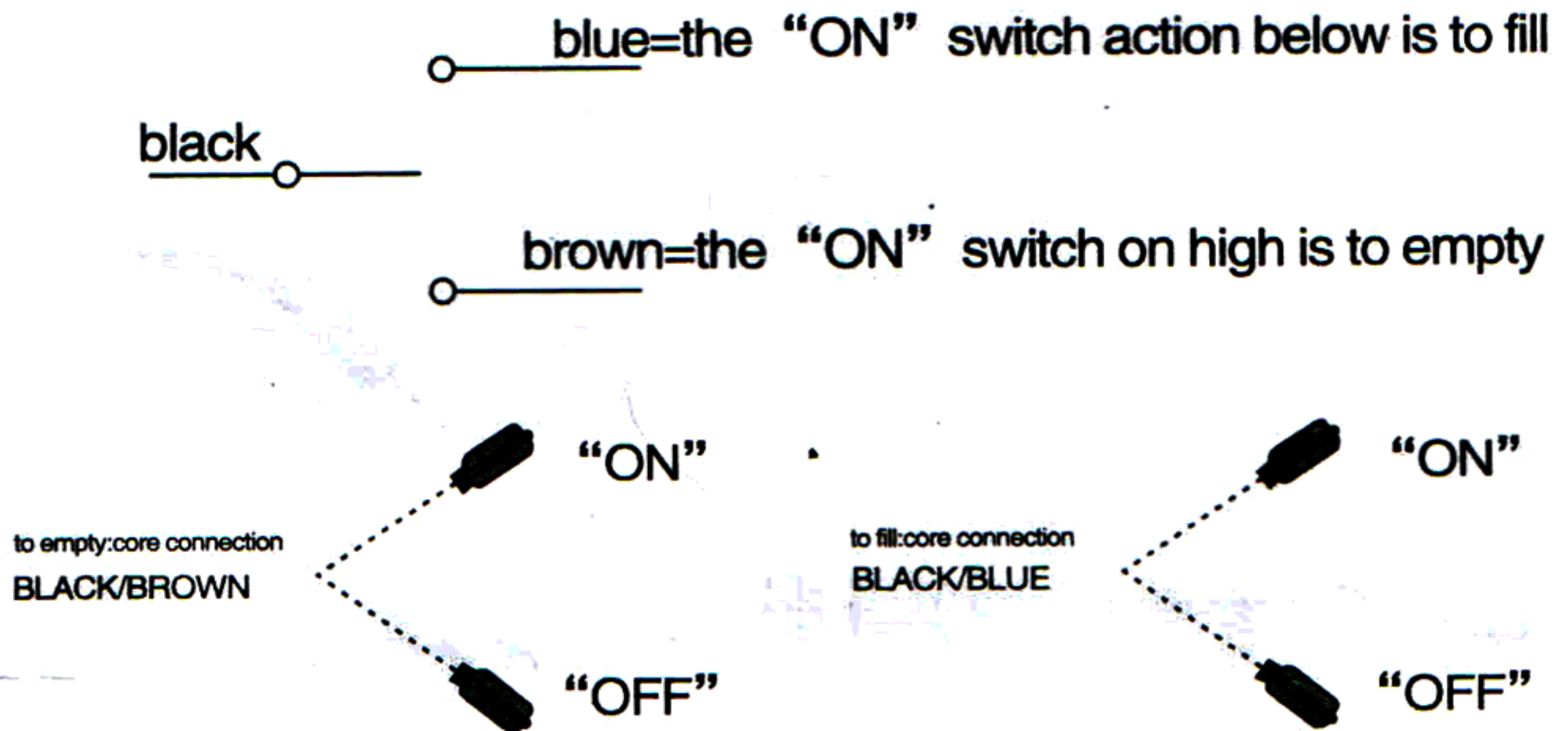


FLOAT CONTROL

AUTOMATIC ADJUSTABLE
EASY TO INSTALL
RELIABLE
MAINTENANCE FREE
ENVIRONMENTAL PROTECTION

WIRING CONNECTION



TECHNICAL DATA

Microswitch:

Switch capacity:

Protective connection:

Protection:

Max. temperature:

Working pressure:

circuitbreaking capacity:

15(8)A250V ~ 10(4)A380V

+++

≥ 50 000 switch workings

□ T 70U (88)

waterproof

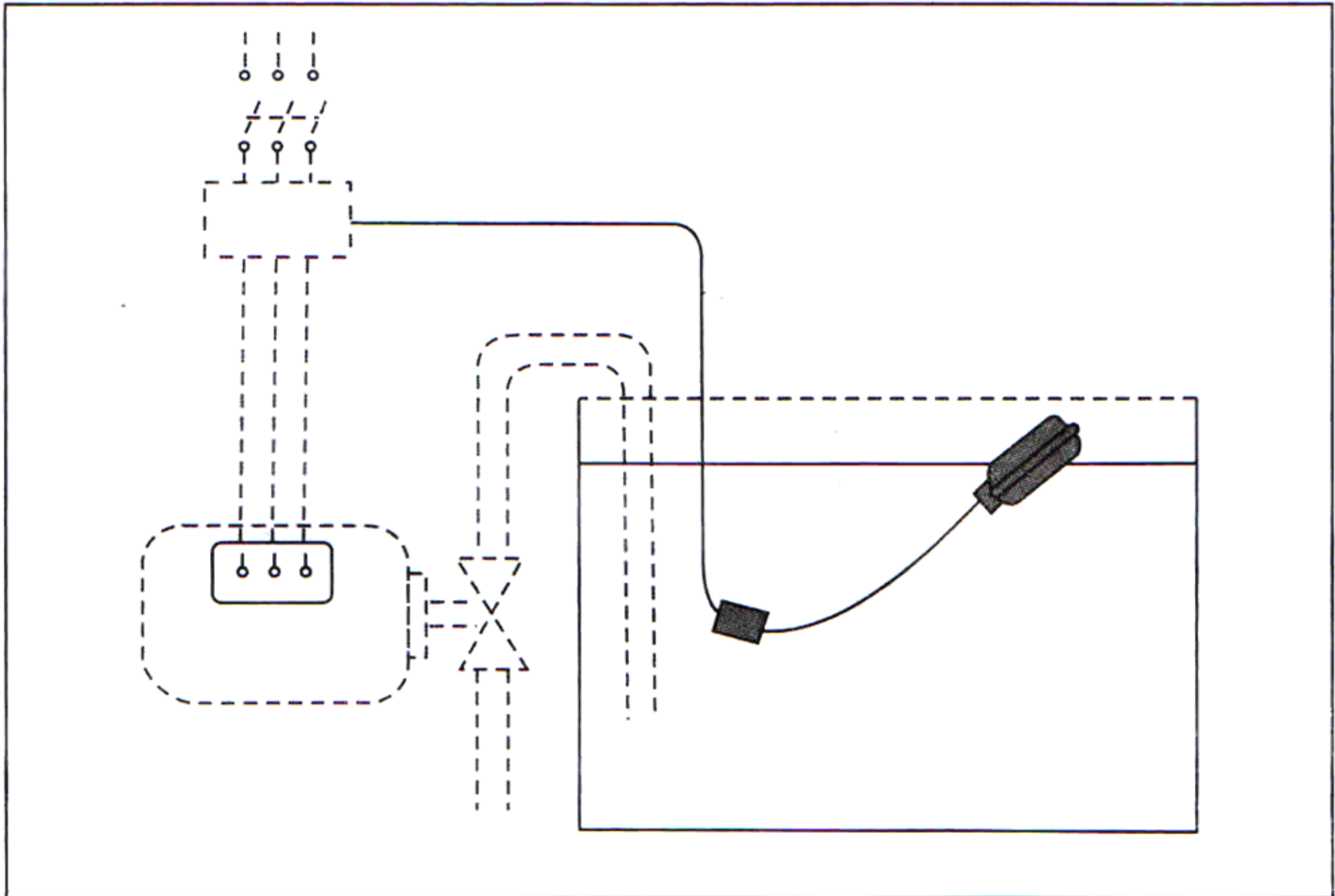
70°C

max. 1 bar

directly 2KW with 250V

FLOAT CONTROL

AUTOMATIC ADJUSTABLE
EASY TO INSTALL
RELIABLE
MAINTENANCE FREE
ENVIRONMENTAL PROTECTION



EASY OPERATION

The desired "ON" or "OFF" differential is obtained by simply lengthening or shortening the free cord fixation point "ON" and "OFF" switch action may be adjusted to any desired liquid level by moving the cord fixation in up or down direction.

APPLICATION

The float switch "MINDA" is a switch which regulates fluid level in the tank or well etc. The float switch is resistant to water (sewage water), it is relative capable of being used for oil, most acids and alkalis. The float switch is not explosion proof

